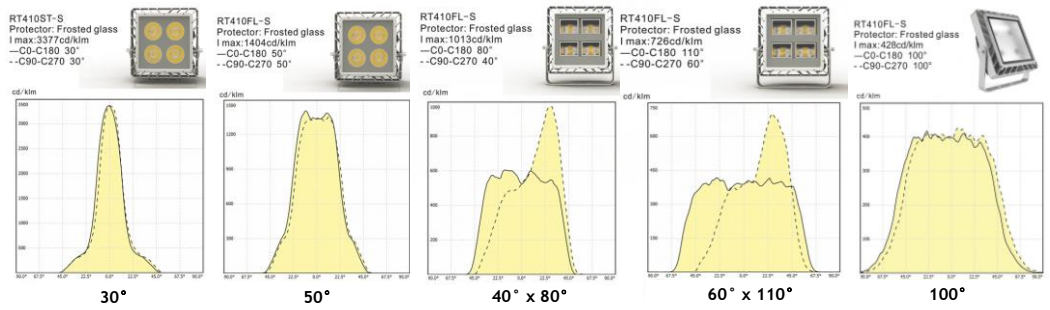
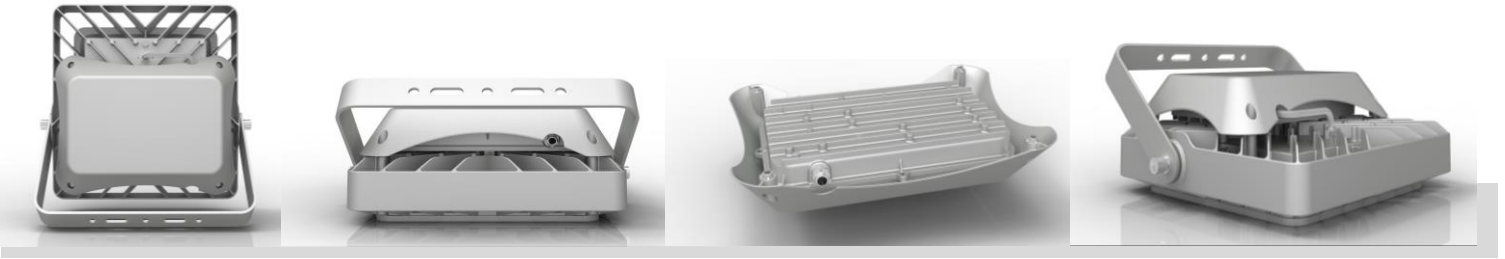


BEAM ANGLES

An Industry First - Multiple Beam Angles in a Single Fixture The RT410FL-Series uses modular reflectors allowing each fixture to be manufactured with more than one beam angle. This is a unique advantage to the M-Series. A single fixture can illuminate far, wide and close which requires fewer fixtures to create higher uniformity.



IMAGES AND DETAILS

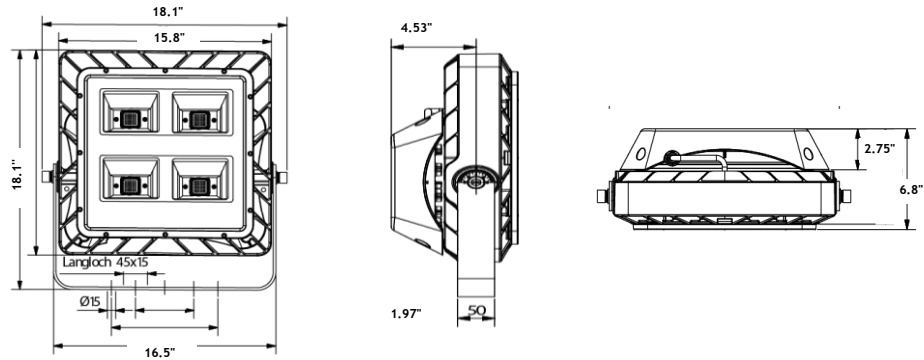


MOUNTING OPTIONS



DIMENSIONS (Inch/mm)

Model No: RT410FL



NOTES

- The specifications listed were obtained under optimal testing conditions. Changes in conditions may result in slightly different performance.
- Driver can provide full range dimming capability across a wide array of 0-10V dimming systems. We cannot guarantee compatibility with all dimming control systems from all manufacturers without actual testing.
- Weight may vary depending on mounting bracket selection.

